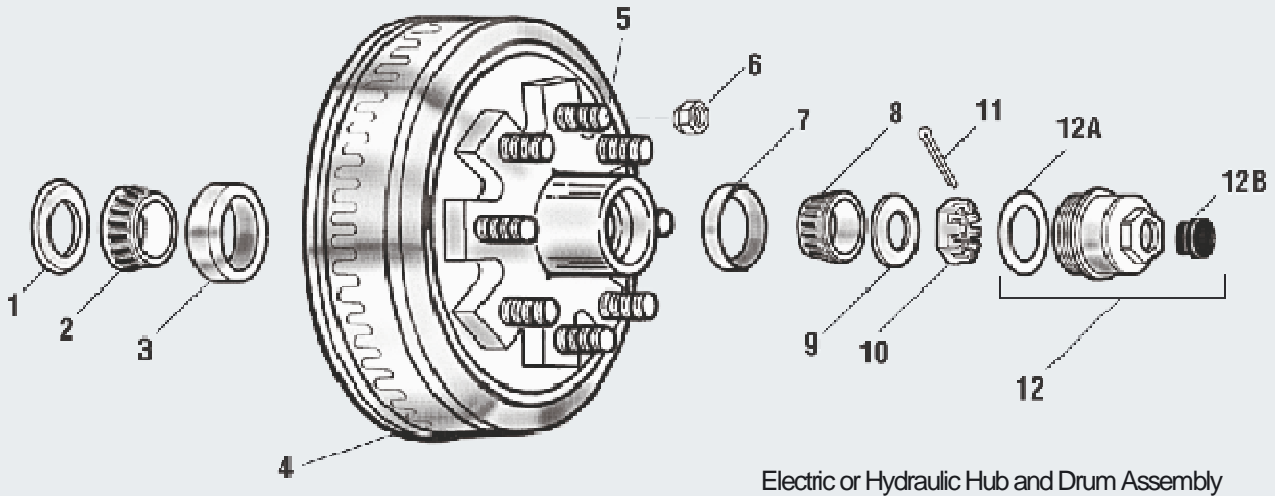


Service Replacement Parts

12" x 3 3/8" Brake Drum T-80, D-80 and H-80

42 Spindle



Electric or Hydraulic Hub and Drum Assembly

Parts List

No.	Hub Part Description	AL-KO Part No.	Hayes Part No.	No.	Hub Part Description	AL-KO Part No.	Hayes Part No.
1	Oil Seal	568284	09103309	7	Outer Bearing Cup, 02420	363917	093744
2	Inner Bearing Cone 25580	363196	093703	8	Outer Bearing Cone, 02475	363604	093745
3	Inner Bearing Cup 25520	363911	093701	9	Spindle Washer	568326	090509
4	Hub & Drum 9/16" Stud 4.75 pilot	363694	09080644	10	Spindle Nut	363257	09060101
4A	Hub & Drum 5/8" Stud 4.75 pilot	363697	09080654	11	Cotter Pin	363258	091901
5	Wheel Stud 9/16" - 18	363906	09251100	12	Oil Cap Assembly	K363587	K363587
5A	Wheel Stud 5/8" - 18 x 3.00"	363910	090737	12	Oil Cap Assembly (Hayes prior to 1997)	K363587.1	K363587.1
6	Wheel Nut 9/16" - 18 60° Cone	363895	090640	12A	Gasket, Oil Cap	568298	09103501
6A	Wheel Nut 5/8" - 18 90° Cone	363698	090643	12B	Oil Cap Plug	568223	092126

WARNING: AL-KO Kober Corporation manufacture hubs and drums that are compatible with many wheels used in the trailer industry that have matching bolt patterns. AL-KO does not manufacture wheels, nor do they recommend a specific wheel for compatibility with the hubs and drums they manufacture. The wheel manufacturer should be contacted for proof of compatibility before use.