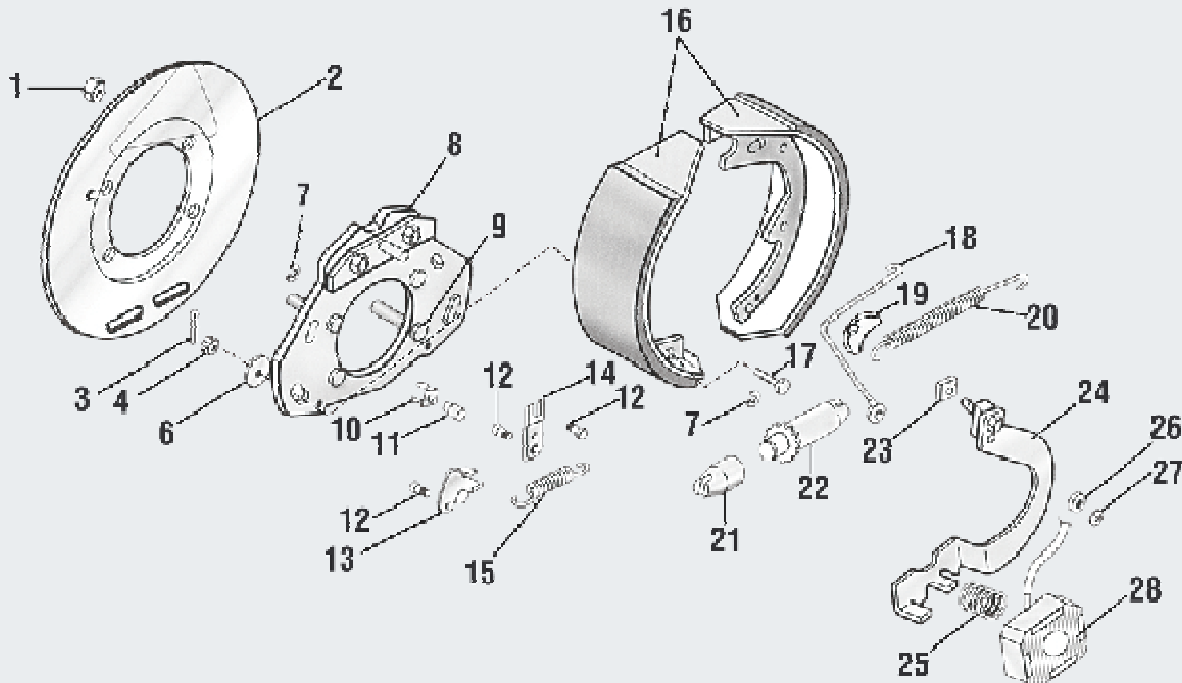


Service Replacement Parts

12" x 3 3/8" Electric Drum T-80, D-80 And H-80



Parts List

| No. | Brake Part Description | AL-KO Part No. | Hayes Part No. | No. | Brake Part Description | AL-KO Part No. | Hayes Part No. |
|-----|------------------------------------|----------------|----------------|-----|--|----------------|----------------|
| 0 | RH Brake Assembly complete (shown) | 363602 | 60204306 | 16 | Shoe and Lining Kit | K363924 | K363924 |
| 0 | LH Brake Assembly Complete | 363601 | 60204406 | 17 | Shoe Hold Down Bolt | 568227 | 090759 |
| 1 | Brake Attaching Nut, 1/2" - 20 | 568235 | 090617 | 18 | Cable Assembly | 568245 | 096936 |
| 2 | Dust Cover | 568289 | 09694612 | 19 | Cable Guide | 568246 | 5758 |
| 3 | Shoe Hold Down Cotter Pin | 568224 | 091905 | 20 | Shoe Retract Spring | 568226 | 5609 |
| 4 | Shoe Hold Down Nut | 568233 | 090647 | 21 | Self Adjuster Socket | 568272 | 602723 |
| 6 | Shoe Hold Down Washer | 568232 | 090541 | 22 | RH Adjuster Assembly (shown) | 568256 | 602717 |
| 7 | Pin Retaining "C" Clip | 568249 | 096806 | 22 | LH Adjuster Assembly | 568257 | 602718 |
| 8 | Backing Plate Assembly | — | — | 23 | Slipper Block | 568242 | 096939 |
| 9 | Brake Mounting Stud 1/2" - 20 | 568250 | 09251523 | 24 | RH Lever Assembly (shown) | 568236 | 603135 |
| 10 | Strain Relief Adapter | 568258 | 096937 | 24 | LH Lever Assembly | 568237 | 603136 |
| 11 | Strain Relief | 568243 | 092715 | 25 | Magnet Spring | 568240 | 096522 |
| 12 | Self Adjuster Pivot Pin | 568238 | 096618 | 26 | Lever Retaining Washer | 568248 | 090540 |
| 13 | RH Auto Adjust Lever (shown) | 568253 | 096321 | 27 | Lever Retaining "E" Clip | 568247 | 096803 |
| 13 | LH Auto Adjust Lever | 568254 | 096322 | 28 | Magnet | — | — |
| 14 | Self Adjuster Bias Lever | 568241 | 096323 | 29 | Magnet Assembly Kit contains #10, #11, #25, #28 | K568252 | K568252 |
| 15 | Self Adjuster Spring | 568239 | 096523 | | | | |

WARNING: AL-KO Kober Corporation manufacture hubs and drums that are compatible with many wheels used in the trailer industry that have matching bolt patterns. AL-KO does not manufacture wheels, nor do they recommend a specific wheel for compatibility with the hubs and drums they manufacture. The wheel manufacturer should be contacted for proof of compatibility before use.

8,000lb.