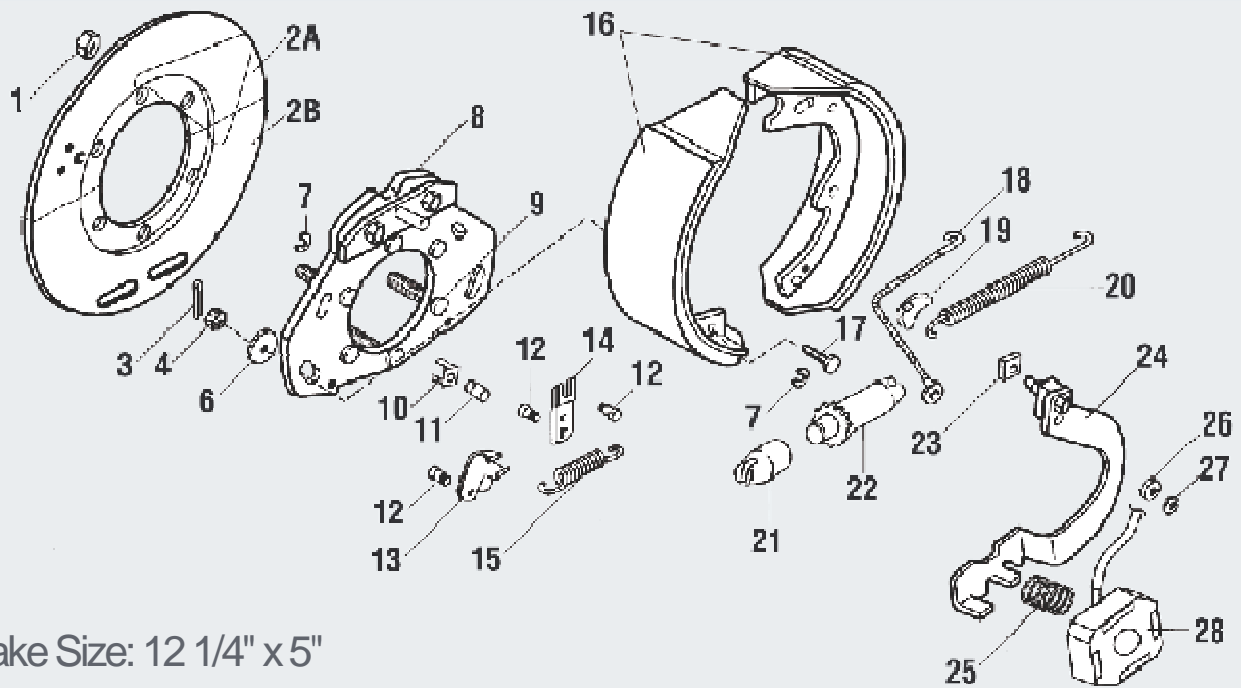


Electric Brake

16K Axles



Brake Size: 12 1/4" x 5"

Parts List

No.	Brake Part Description	AL-KO Part No.	Hayes Part No.	No.	Brake Part Description	AL-KO Part No.	Hayes Part No.
0	RH Brake Assembly Complete (shown)	60208801	60208801	16	Shoe & Lining Kit	KSL131	KSL131
0	LH Brake Assembly Complete	—	60208802	17	Shoe Hold Down Bolt	568227	090759
1	Brake Attaching Nut, 1/2" - 20	568022	090617	18	Cable Assembly	568245	096936
2A	Upper 1/2 Dust Cover	—	09694874	19	Cable Guide	568246	5758
2B	Lower 1/2 Dust Cover	—	09694873	20	Shoe Retract Spring	568226	5609
3	Shoe Hold Down Cotter Pin	568224	091905	21	Self Adjuster Socket	568272	602723
4	Shoe Hold Down Nut	568233	090647	22	RH Adjuster Assembly (shown)	568256	602717
6	Shoe Hold Down Washer	568232	090541	22	LH Adjuster Assembly	568257	602718
7	Pin Retaining "C" Clip	568249	096806	23	Slipper Block	568242	096939
8	Backing Plate Assembly	—	—	24	RH Lever Assembly (shown)	—	60313651
9	Brake Mounting Stud 1/2" - 20	568250	09251510	24	LH Lever Assembly	—	60313652
10	Strain Relief Adapter	568258	096937	25	Magnet Spring	568240	09652915
11	Strain Relief	568243	092715	26	Lever Retaining Washer	568248	090540
12	Self Adjuster Pivot Pin	568238	096618	27	Lever Retaining "E" Clip	568247	096803
13	RH Auto Adjust Lever (shown)	568253	096321	28	Magnet	—	—
13	LH Auto Adjust Lever	568254	096322	29	Magnet Assembly Kit contains #10, #11, #25, #28	K568252	K568252
14	Self Adjuster Bias Lever	568241	096323				
15	Self Adjuster Spring	568239	096523				

WARNING: AL-KO Kober Corporation manufacture hubs and drums that are compatible with many wheels used in the trailer industry that have matching bolt patterns. AL-KO does not manufacture wheels, nor do they recommend a specific wheel for compatibility with the hubs and drums they manufacture. The wheel manufacturer should be contacted for proof of compatibility before use.

10 1316K