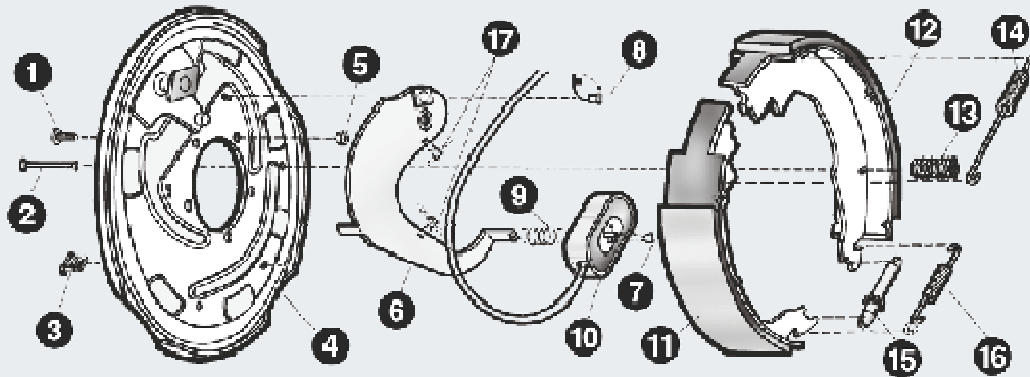


# Service Replacement Parts

## 12" x 2" Electric Brake



5,200 - 7,000lb.

### Parts List

No.	Brake Part Description	AL-KO Part No.	Hayes Part No.	No.	Brake Part Description	AL-KO Part No.	Hayes Part No.
0	RH Brake Assembly Complete	363233.1	60208712	9	Magnet Spring	568103	096522
0	LH Brake Assembly Complete (Shown)	363233.2	60208713	10	Magnet Assembly (White Wire)	K568111	M144
1	Brake Mounting Stud $\frac{3}{8}$ " - 24	363989	090761	11	Primary Shoe & Lining	K568126	SL126B
2	Shoe Hold Down Pin	568094	09661106	12	Secondary Shoe & Lining	K568126	SL126B
3	Plug Adjuster Slot	568089	096932	13	Shoe Hold Down Cup & Spring	568093	10443
4	Backing Plate Assembly	—	—	14	Shoe Retract Spring	568096	096527
5	Brake Mounting Nut $\frac{3}{8}$ " - 24	363333	090625	15	Adjuster Screw Assembly	568110	60272401
6	RH Lever Assembly	568113	60283200	15	Adjuster Screw Socket	568086	60272801
6	LH Lever Assembly (Shown)	568114	60283100	16	Adjuster Screw Spring	568095	096526
7	Clip, Wire & Magnet	568092	09680815	17	Clip, Wire Retainer	568183	—
8	Strain Relief, Wire	568090	—				

**WARNING:** AL-KO Kober Corporation manufacture hubs and drums that are compatible with many wheels used in the trailer industry that have matching bolt patterns. AL-KO does not manufacture wheels, nor do they recommend a specific wheel for compatibility with the hubs and drums they manufacture. The wheel manufacturer should be contacted for proof of compatibility before use.