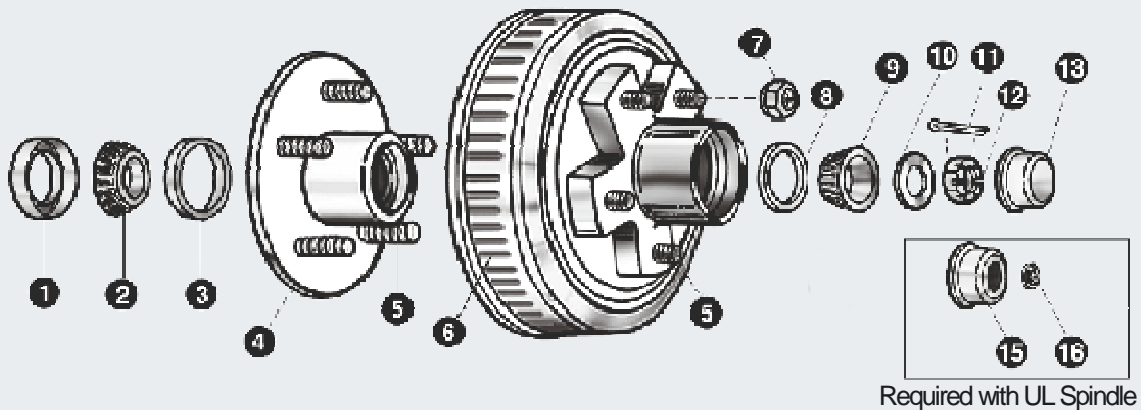


Service Replacement Parts

10" x 2 1/4" Hub/Drum

2,200 - 3,500lb.



Parts List

No.	Brake Part Description	AL-KO Part No.	Hayes Part No.	No.	Brake Part Description	AL-KO Part No.	Hayes Part No.
1	Grease Seal Double Lipped	568861	09103305	6B	5 on 4.75" Bolt Circle	363630	09080428
2	Inner Bearing Cone 68149	363192	093705	6C	5 on 5.0" Bolt Circle	363220	09080257
3	Inner Bearing Cup L68111	363914	093718	6D	5 on 5.5" Bolt Circle	363221	09080327
4	Idler Hub w/Cups & Studs	—	—	6E	6 on 5.5" Bolt Circle	363222	09080367
4A	5 on 4.5" Bolt Circle	363191	09089137	7	Wheel Nut, 1/2" - 20 60° Cone	363203	090608
4B	5 on 4.75" Bolt Circle	363821	09080438	8	Outer Bearing Cup L44610	363913	093707
4C	5 on 5.0" Bolt Circle	363194	09080377	9	Outer Bearing Cone 44649	363180	093706
4D	5 on 5.5" Bolt Circle	363228	09080347	10	Spindle Washer 1" x 1 3/4" OD	363259	090509
4E	6 on 5.5" Bolt Circle	363195	09080357	11	Cotter Pin	363258	091901
5	Stud 1/2" - 20 x 2 (Zinc)	1530092	—	12	Spindle Nut 1" - 14	363257	09060101
5A	Stud 1/2" - 20 x 1.81 Short Knurl (Prior 2010)	363908	09251510	13	Grease Cap	363182	092102
5B	Stud 1/2" - 20 x 1.81 Long Knurl (Prior 2010)	363907	09251525	15	Grease Cap (UL)	363277	09210101
6	Hub & Drum/Cups & Studs	—	—	16	Rubber Plug (UL)	568067	09213611
6A	5 on 4.5" Bolt Circle	363219	09080607				

WARNING: AL-KO Kober Corporation manufacture hubs and drums that are compatible with many wheels used in the trailer industry that have matching bolt patterns. AL-KO does not manufacture wheels, nor do they recommend a specific wheel for compatibility with the hubs and drums they manufacture. The wheel manufacturer should be contacted for proof of compatibility before use.