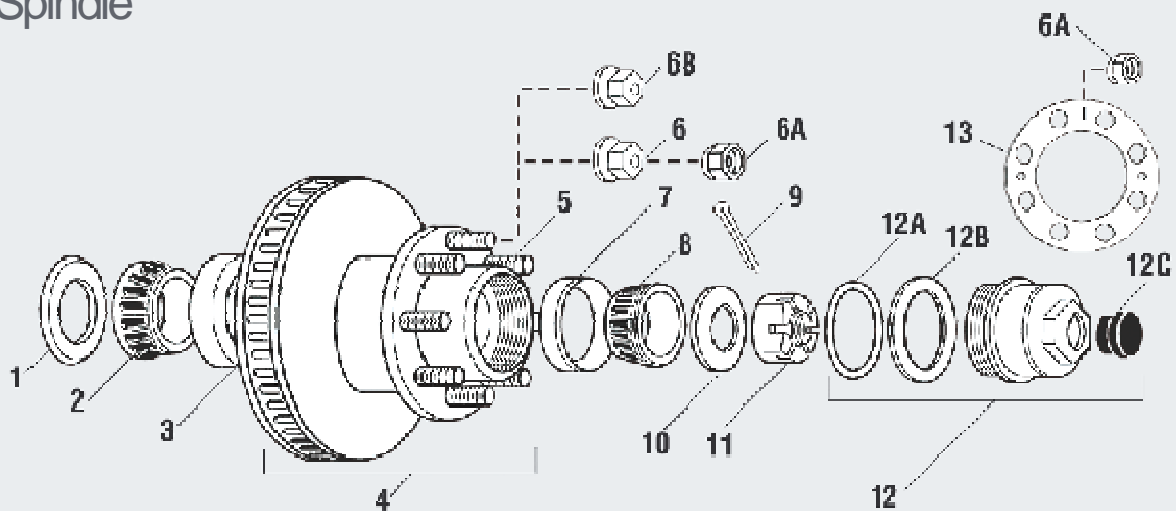


Hub and Rotor Assembly

10K and 12K Disc Brake Axles

120 Spindle



Parts List

No.	Hub Part Description	AL-KO Part No.	Hayes Part No.	No.	Hub Part Description	AL-KO Part No.	Hayes Part No.
8 Studs on 6.50" Diameter				** 6B	3/4" Flanged Wheel Nut	09065105	09065105
1	Oil Seal	568217	091023	*6	3/4" Swiveling Flange Nut - 1 5/8" Flange	—	09065603
2	Inner Bearing Cone JM511946	568219	093717	7	Outer Bearing Cup JM205110	568266	093714
3	Inner Bearing Cup JM511910	568267	093716	8	Outer Bearing Cone JM205149	568218	093715
4	Hub & Rotor F.F. 5/8"	09089421	09089421	9	Cotter Pin	568137	091903
4	Hub & Rotor Coined 5/8"	090814	090814	10	Spindle Washer 1 1/2"	568136	090525
4	Hub & Rotor F.F. 3/4"	09089425	09089425	11	Spindle Nut	568135	090623
4	Hub & Rotor Coined 3/4"	09080632	09080632	12	Plastic Oil Cap Assembly	K568220	K568220
5	Wheel Stud 5/8" - 18	363910	090737	12A	O-Ring	568222	10693
5A	Wheel Stud 3/4"	—	09077115	12B	Gasket	568297	09103502
*6	5/8" Swiveling Flange Nut	568216	09065602	12C	Rubber Plug	568223	092126
6A	5/8" 90° Cone Wheel Nut	363698	090643	13	Wheel Clamp Ring for 5/8" Studs	568348	—
** 6B	5/8" Flanged Wheel Nut	568703	090633				

*Used with Flat Face Wheels **Used with Coined Wheel

WARNING: AL-KO Kober Corporation manufacture hubs and drums that are compatible with many wheels used in the trailer industry that have matching bolt patterns. AL-KO does not manufacture wheels, nor do they recommend a specific wheel for compatibility with the hubs and drums they manufacture. The wheel manufacturer should be contacted for proof of compatibility before use.