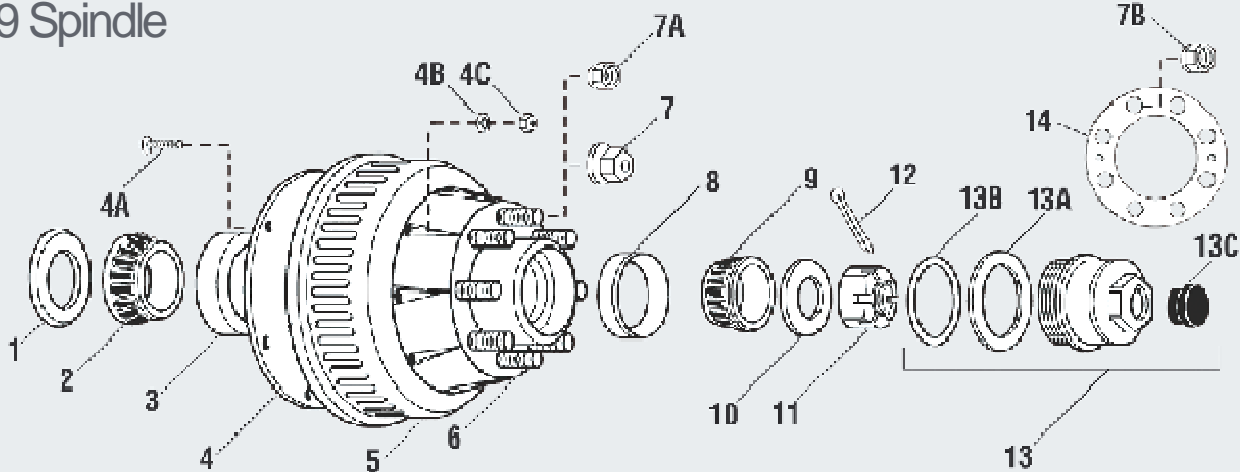


# Hub and Drum Assembly

## General Duty 10K Axle

### 99 Spindle



Electric or Hydraulic Hub and Drum Assembly

### Features

- The unicast hub and drum assembly has a replaceable steel armature plate for use with electric brakes.
- AL-KO oil caps are molded from high strength polycarbonate to minimize breakage and leakage.

### Parts List

No.	Hub Part Description	AL-KO Part No.	Hayes Part No.	No.	Hub Part Description	AL-KO Part No.	Hayes Part No.
1	Oil Seal	568303	091030	7A	Dual Wheel Nut – Fixed Flanged (Coined)	568703	090633
2	Inner Bearing Cone, 28580	568125	093737	7B	Single Wheel Nut 5/8" - 18 90° Cone	363698	090643
3	Inner Bearing Cup, 28521	568152	093736	8	Outer Bearing Cup, 25520	363911	093701
4	Armature Plate	568261	092406	9	Outer Bearing Cone, 25580	363196	093751
4A	Flat Head Bolt, 1/4" – 20	568263	09070301	10	Spindle Washer	568136	090525
4B	Lock Washer, 1/4"	568264	090502	11	Spindle Nut	568135	090623
4C	Hex Nut, 1/4" – 20	568265	090610	12	Cotter Pin	568137	091903
5A	Hub & Drum 4.75 pilot (F.F.)	568353	09080587	13	Oil Cap Assembly	K568220	K568220
5B	Hub & Drum F.F. 4.88	568270	09080567	13A	Gasket	568297	09103502
5C	Hub & Drum Coin 4.75	568704	09080572	13B	O-Ring	568222	10693
6	Wheel Stud, 5/8" x 3" for Single & Flat Face	363910	090737	13C	Oil Cap Plug	568223	092126
6	Wheel Stud, 5/8" x 3 1/4" (012) Round	1530113	9251513	14	Wheel Clamp Ring for 5/8" Studs	568348	—
7	Dual Wheel Nut – Swiveling Flange 5/8" - 18	568216	09065602				

Used with Flat Face Wheels

For Electric Brake Only

Used with Coined Wheel

Used with Single Wheel and/or Clamp Ring

**WARNING:** AL-KO Kober Corporation manufacture hubs and drums that are compatible with many wheels used in the trailer industry that have matching bolt patterns. AL-KO does not manufacture wheels, nor do they recommend a specific wheel for compatibility with the hubs and drums they manufacture. The wheel manufacturer should be contacted for proof of compatibility before use.