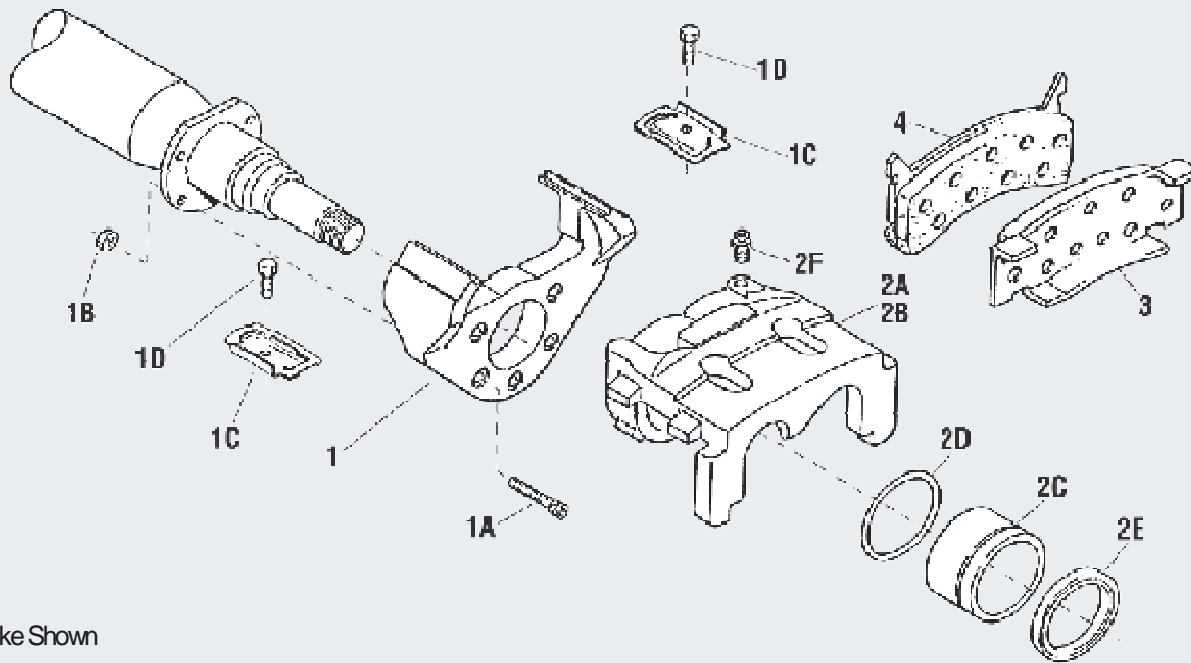


Disc Brake

10K and 12K Axles



RH Brake Shown

Parts List

No.	Brake Part Description	AL-KO Part No.	Hayes Part No.	No.	Brake Part Description	AL-KO Part No.	Hayes Part No.
1	Torque Plate	09045901	09045901	2C	Caliper Piston	—	096930
1A	Torque Plate Mounting Bolt	—	090756	2D	Caliper Piston Seal (Sold as K080862)	—	77564
1B	Torque Plate Mounting Nut	—	090617	2E	Piston, Rubber Boot (Sold as K080862)	—	09443501
1C	Retainer Plate	—	09633700	2F	Bleeder Screw (Not Sold Alone)	—	—
1D	Retainer Plate Bolt & Lockwasher	—	087805	3	Outer Brake Pad (Sold as KSL116)	—	093613
2A	Caliper Assembly LH	—	09231512	4	Inner Brake Pad (Sold as KSL116)	—	093608
2B	Caliper Assembly RH (shown)	—	09231511				

WARNING: AL-KO Kober Corporation manufacture hubs and drums that are compatible with many wheels used in the trailer industry that have matching bolt patterns. AL-KO does not manufacture wheels, nor do they recommend a specific wheel for compatibility with the hubs and drums they manufacture. The wheel manufacturer should be contacted for proof of compatibility before use.